

This drawing involves proprietary design rights of Tyco Electronics Corporation, and all design, manufacture, reproduction, use and sale rights regarding the same are expressly reserved. It is submitted for a specific purpose and the recipient by accepting this drawing, assumes custody and control and agrees to take reasonable precautions; (a) that this drawing will not be copied and reproduced, in whole or in part, or its contents revealed in any manner, or to any person except to meet the purpose for which it was delivered and (b) that any special features peculiar to this design will not be incorporated in other projects without the expressed written permission of Tyco Electronics Corporation.

REVISIONS			
EC	REV	DESCRIPTION	DATE
CPR	A	NEW RELEASE	3/6/06

7. MODULE INFORMATION

CONNECTOR	TYCO PART NUMBER	CATALOG MODULE #	QTY	SIZE NO.	CONTACT QTY	MATING PIN	MAX. CURRENT (PER CONTACT)	CONTACT SPACING	VOLTAGE RATING*	
PIN	6648000-1	FP0106	2	8	8	1.25 X 7.00 [.049 X .276]	35 AMPERES	7.50 [L2953]	250 VOLTS	
		FP0302	1	22	24	.64 [L025] SQ.	3 AMPERES	2.50 [L0984]	125 VOLTS	
		FP0516	2	ACTIVE RIGHT ANGLE GUIDE SOCKET						
		FP0509	1	LEFT MOUNTING FLANGE						
		FP0510	1	RIGHT MOUNTING FLANGE						

*IAW IEC-950

NOTES: UNLESS OTHERWISE SPECIFIED.

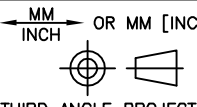


- PART NUMBER CHANGES AND OR DESIGN CHANGES AFFECTING ITEM INTERCHANGEABILITY REQUIRE PRIOR TYCO APPROVAL AND AUTHORIZATION BY REVISION TO THIS DRAWING.
- MATERIALS:
 - INSULATORS: THERMOPLASTIC, GLASS REINFORCED, COLOR BLACK, UL94V-0 FLAMMABILITY RATED.
 - SOLDER SIGNAL PIN: BRASS ALLOY.
 - POWER CONTACTS: PHOSPHOR BRONZE ALLOY, COPPER ALLOY.
 - CROWN BANDS: COPPER ALLOY.
- FINISHES:
 - CONTACTS: GOLD PLATE .000030" MIN. THK, OVER NICKEL .000050" MIN. THICKNESS.
 - TERMINALS: TIN PLATE, MATTE FINISH 000100" MIN. THK, OVER NICKEL .000050 MIN THK.
- SIGNAL MODULE PINS ARE ALL PREMATE.
- MOUNTING FLANGES ACCEPT M3 OR #4 SCREWS, (USER SUPPLIED).
- ITEMS PROVIDED TO THIS SPECIFICATION TO BE PERMANENTLY IDENTIFIED PER THE FOLLOWING IDENTIFIER:

TYCO PART NUMBER
6648000-1

TYCO PART NO. DATE CODE (e.g. 0606)

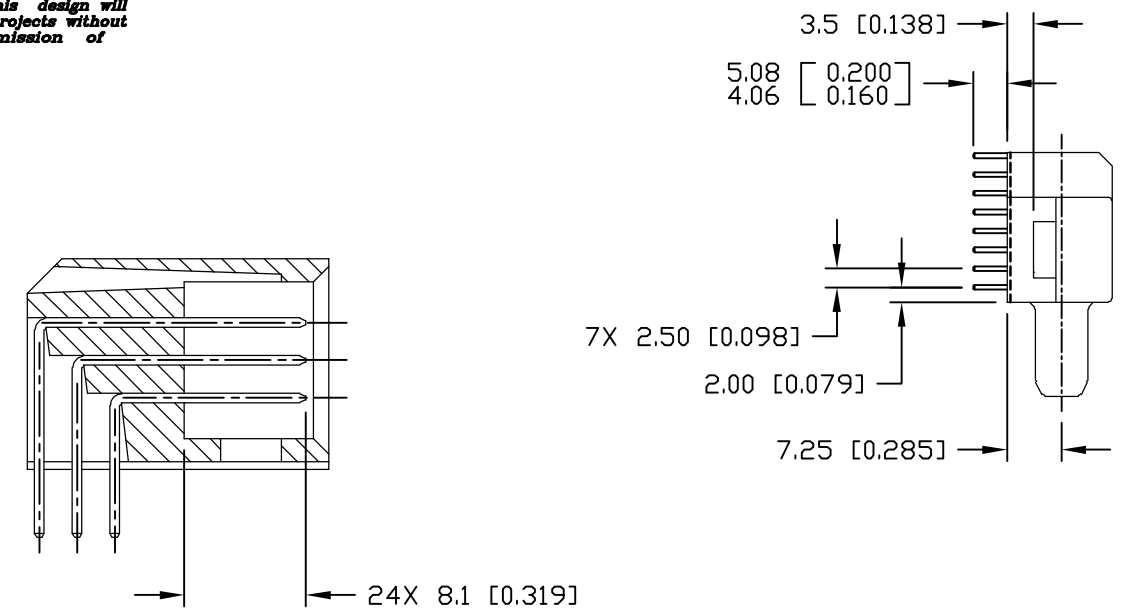
YEAR WEEK

XXXXXXXX-X XXXX

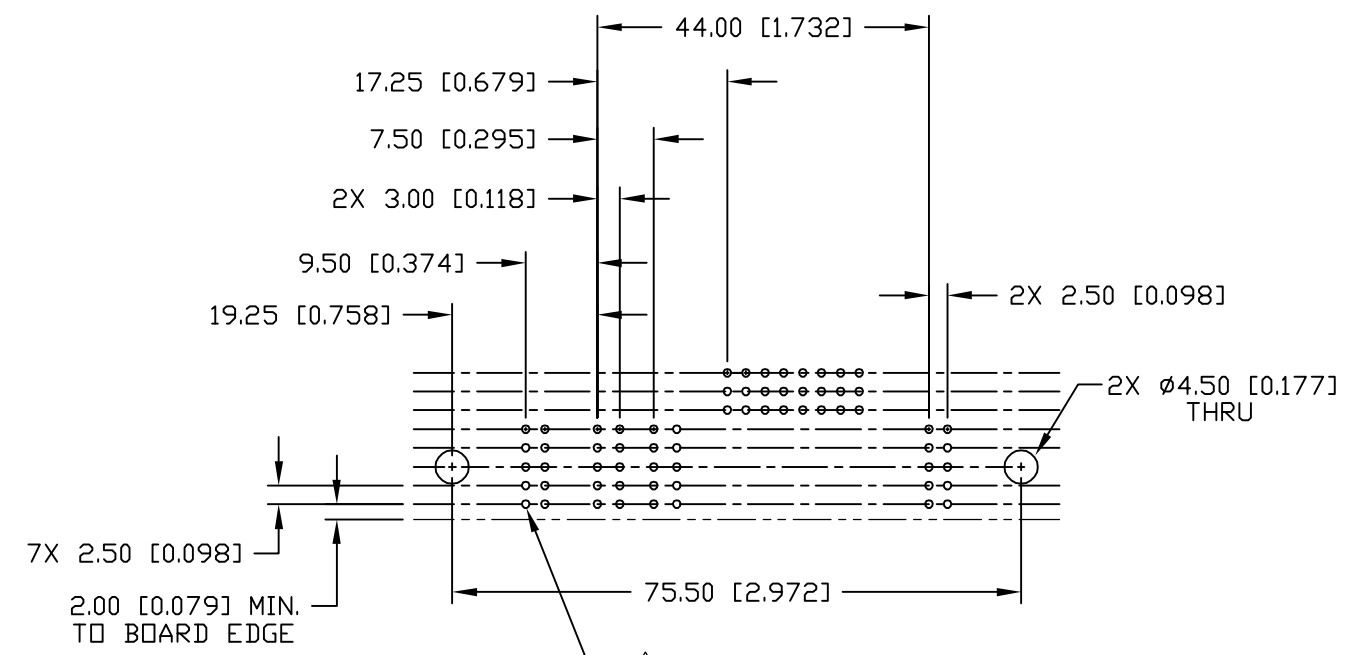
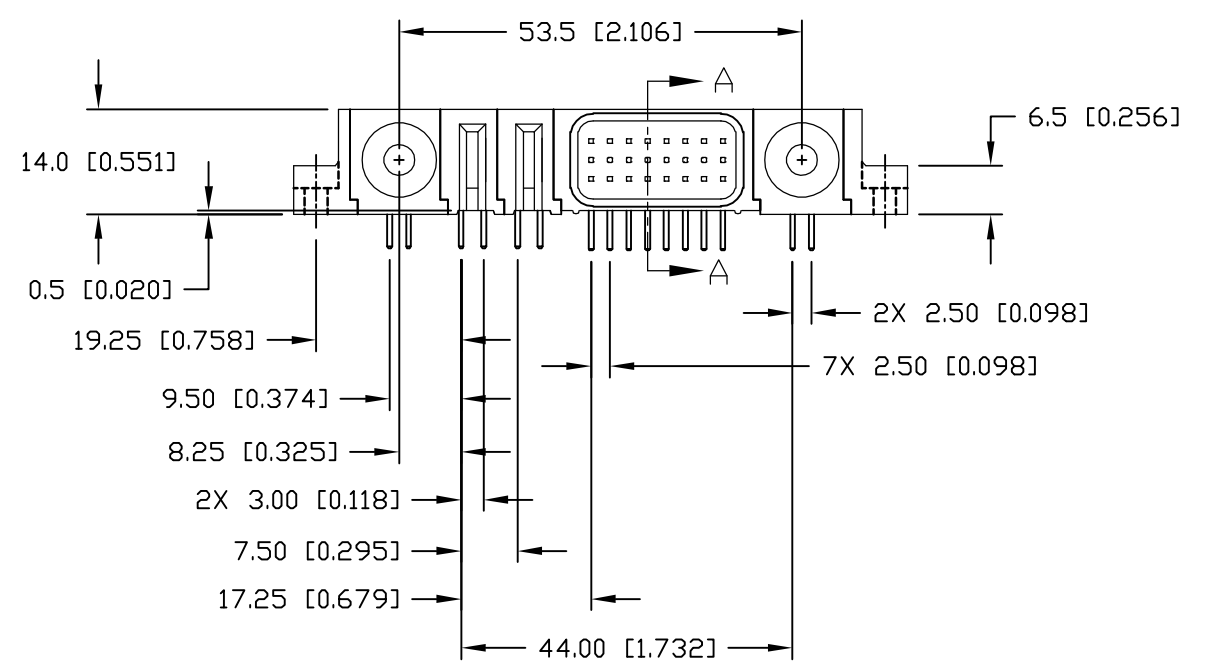
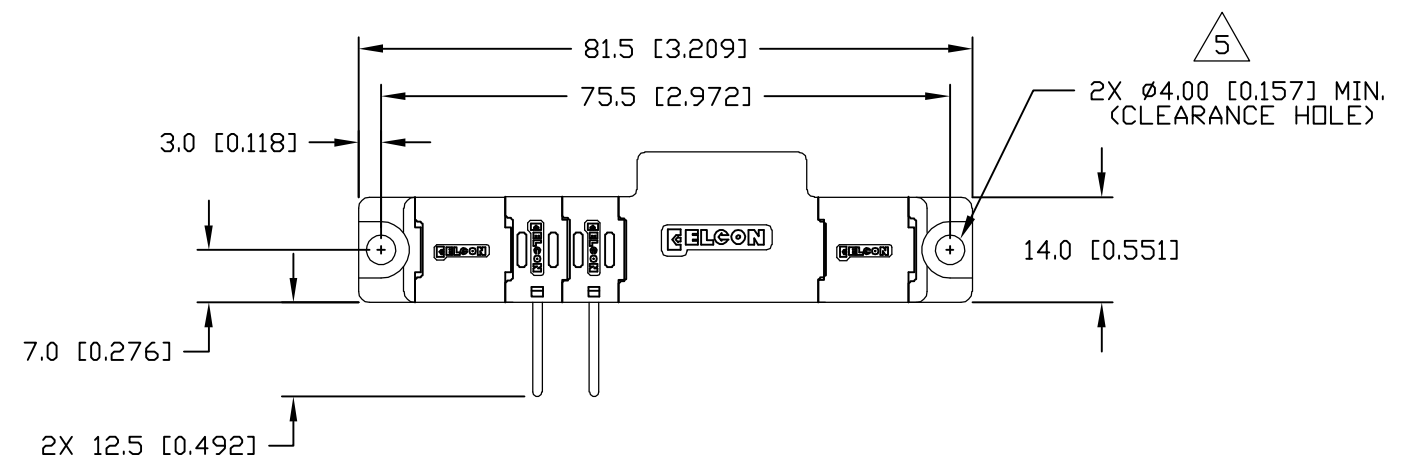
 THIRD ANGLE PROJECTION UNLESS OTHERWISE SPECIFIED DIMENSIONS ARE IN METRIC [INCHES] TOLERANCES ANGLES ± .5° DECIMALS .XX ± .25 [L010] .X ± .5 [L020]	DRAWN R. F. A. CHECKED APPROVED APPROVED S.FLICKINGER DCA APPROVED ACAD FILE NUMBER	DATE 3/6/06 06MAR06	 Tyco Electronics Corporation Menlo Park, Ca 94025		 TITLE PIN CONNECTOR, FLATPAQ RIGHT ANGLE, SOLDER TAILS
			SIZE B	DWG NUMBER C = 6648000	REV. A
				DWG SCALE 1=1	SH 1 OF 3

This drawing involves proprietary design rights of Tyco Electronics Corporation, and all design, manufacture, reproduction, use and sale rights regarding the same are expressly reserved. It is submitted for a specific purpose and the recipient by accepting this drawing, assumes custody and control and agrees to take reasonable precautions; (a) that this drawing will not be copied and reproduced, in whole or in part, or its contents revealed in any manner, or to any person except to meet the purpose for which it was delivered and (b) that any special features peculiar to this design will not be incorporated in other projects without the expressed written permission of Tyco Electronics Corporation.

REVISIONS			
EC	REV	DESCRIPTION	DATE
		SEE SHEET 1	



SECTION A-A

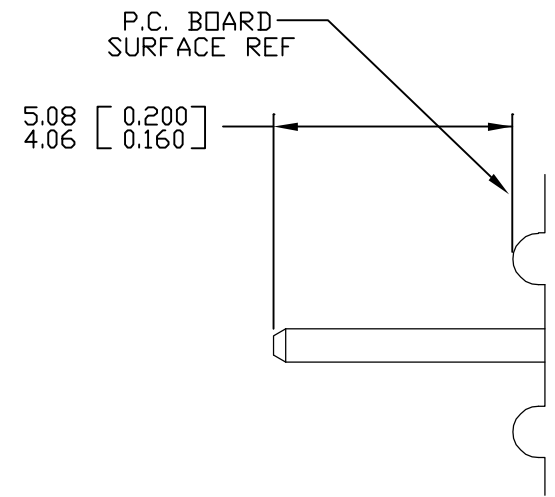


PRINTED CIRCUIT LAYOUT

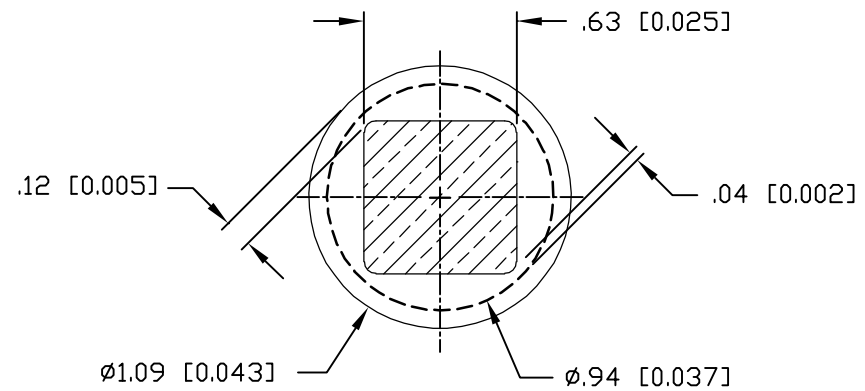
← MM OR MM [INCH] INCH THIRD ANGLE PROJECTION UNLESS OTHERWISE SPECIFIED DIMENSIONS ARE IN METRIC [INCHES] TOLERANCES ANGLES ± .5° DECIMALS .XX ± .25 [0.010] .X ± .5 [0.020]	DRAWN R. F. A. CHECKED APPROVED APPROVED DCA APPROVED ACAD FILE NUMBER	DATE 3/6/06 TITLE PIN CONNECTOR, FLATPAQ RIGHT ANGLE, SOLDER TAILS SIZE B DWG NUMBER C = 6648000 REV. A	Tyco Electronics Corporation Menlo Park, Ca 94025 ELCON DWG SCALE 1=1 SH 2 OF 3
---	--	---	---

This drawing involves proprietary design rights of Tyco Electronics Corporation, and all design, manufacture, reproduction, use and sale rights regarding the same are expressly reserved. It is submitted for a specific purpose and the recipient by accepting this drawing, assumes custody and control and agrees to take reasonable precautions; (a) that this drawing will not be copied and reproduced, in whole or in part, or its contents revealed in any manner, or to any person except to meet the purpose for which it was delivered and (b) that any special features peculiar to this design will not be incorporated in other projects without the expressed written permission of Tyco Electronics Corporation.

REVISIONS			
EC	REV	DESCRIPTION	DATE
		SEE SHEET 1	

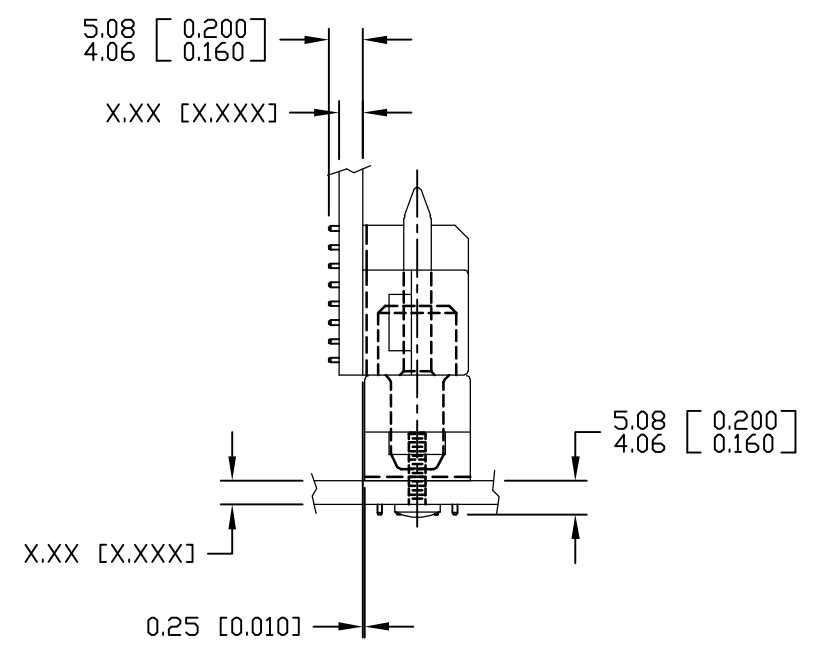


8. SOLDER PIN DETAIL

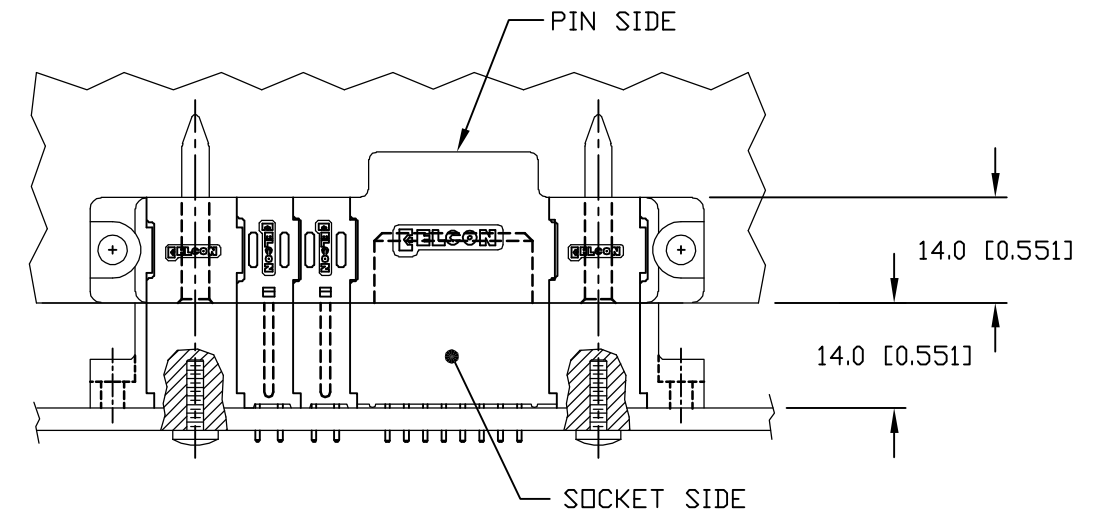


9 SOLDER TERMINATION AREA

RECOMMENDED PRINTED CIRCUIT HOLE
 FINISHED HOLE: $\phi 1.02 [0.040] \pm .08 [0.003]$
 DRILLED HOLE: $\phi 1.15 [0.0453] \pm .013 [0.0005]$
 COPPER PLATE: .025-.050 [0.001-.002] MINIMUM (PER SURFACE)
 TIN PLATE: .0005 [0.00002] MINIMUM (PER SURFACE)



MATED CONDITION
 MATES WITH 6646597-1



← MM OR MM [INCH] THIRD ANGLE PROJECTION UNLESS OTHERWISE SPECIFIED DIMENSIONS ARE IN METRIC [INCHES] TOLERANCES ANGLES $\pm .5^\circ$ DECIMALS .XX $\pm .25 [0.010]$.X $\pm .5 [0.020]$	DRAWN R. F. A. CHECKED APPROVED APPROVED DCA APPROVED ACAD FILE NUMBER	DATE 3/6/06	 Tyco Electronics Corporation Menlo Park, Ca 94025 	TITLE USER INFORMATION SOLDER TAIL TERMINATION AND MATED CONDITION	SIZE B	DWG NUMBER C = 6648000	REV. A
	C6648000A.DWG		DWG SCALE 1=1	SH 3 OF 3			